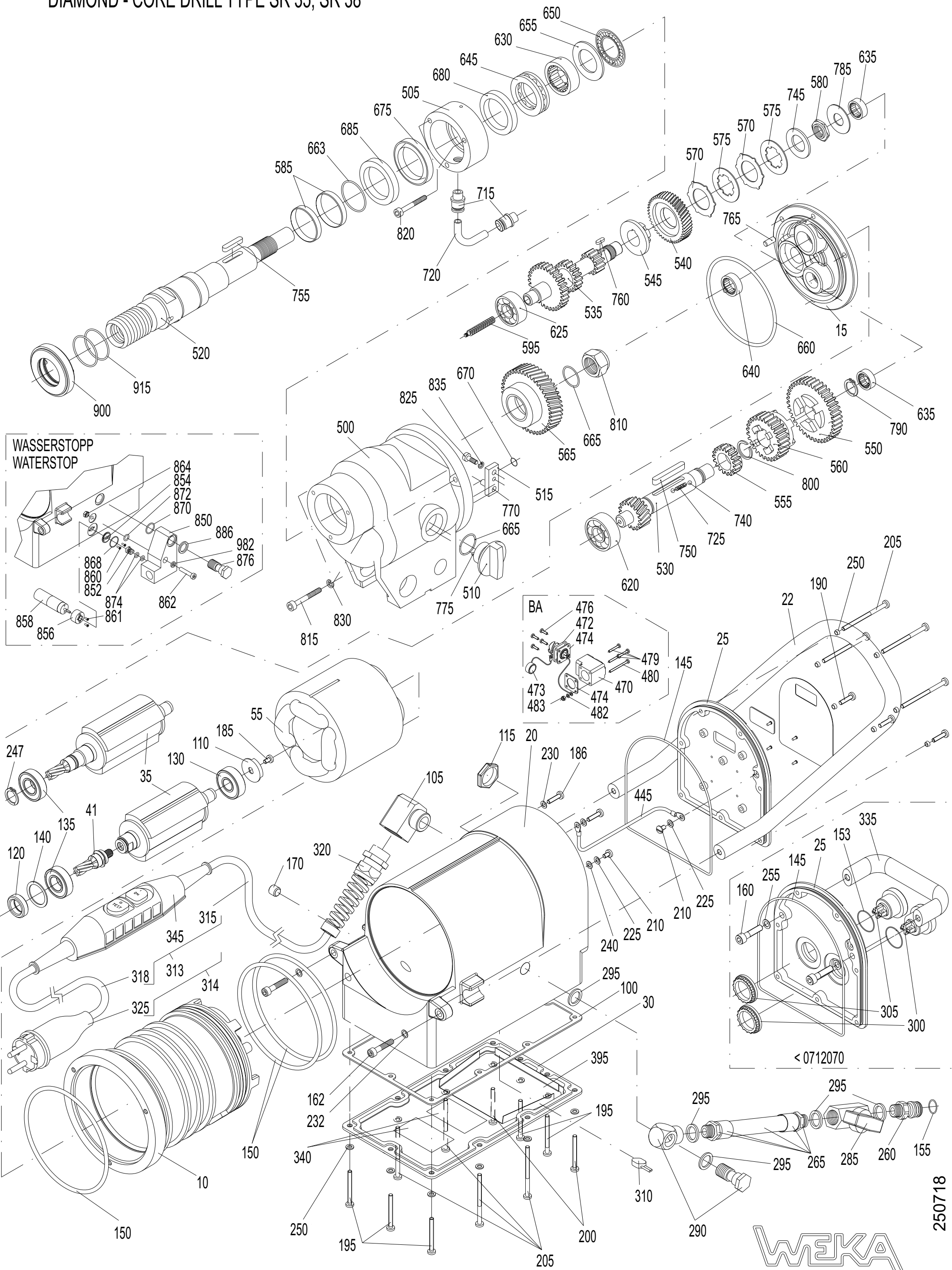


DIAMANT - KERNBOHRMASCHINE TYP SR 35, SR 38

DIAMOND - CORE DRILL TYPE SR 35, SR 38



Diamond Core Drill Type SR 25/35/38 (S) - Motor

| FIG | NO | DESCRIPTION | STANDARD | TYPE | PART NO |
|-----|----|--|----------------------|-----------|--------------|
| 10 | 1 | Motorcase | | | SR30101 |
| 15 | 1 | Intermediate Flange cpl. with O-Ring | | | SR30102C |
| 20 | 1 | Case Sleeve | | | SR30104-1 |
| 20 | 1 | Case Sleeve | for auto feed | SR2-7 BA | SR30104-1BA |
| 20 | 1 | Case Sleeve | for water stop | SR2-7 W | SR30104-1W |
| 20 | 1 | Case Sleeve | for auto feed and WS | SR2-7 BAW | SR30104-1BAW |
| 22 | 1 | Carrying Holder | | SR25/38 | SR30105 |
| 25 | 1 | Switch Cover cpl. with keypad | | SR25/38 | SR60133C |
| | 1* | Switch Cover for On/Off button | | SR35 | SR30133 |
| 30 | 1 | Terminal Case Cover cpl. | | | SR30135-1C |
| 35 | 1 | Rotor compl. | | | SR30108 |
| 41 | 1* | Rotor pinion | | | SR30113 |
| 55 | 1 | Stator compl. | | SR25/38 | SR70109 |
| | 1 | Stator compl. | | SR35 | SR30109 |
| 100 | 1 | Terminal Case Sealing | | | SR30122 |
| 105 | 1 | Cable Angle | M20x1,5 | | DK40140-1 |
| 110 | 1 | Sensor-Disc | | | SR30118 |
| 115 | 1 | Hexagon Nut | M20x1,5 | | 8806020 |
| 120 | 1 | Rotary Shaft Seal | 14x24x7 | | 5014247 |
| 130 | 1 | Ball Bearing | 6201 2Z | | 6062012 |
| 135 | 1 | Ball Bearing | 6002 2RS | | 6060022 |
| 140 | 1 | Compensation Washer | | | 2632201 |
| 145 | 1 | O-Ring | RDR 135x2 | | 4513502 |
| 150 | 3 | O-Ring | RDR 110x4 | | 4511004 |
| 153 | 2* | O-Ring | RDR 20x1,5 | | 5520015 |
| 155 | 1 | O-Ring | RDR 11x2,5 | | 5511025 |
| 157 | 4 | O-Ring | RDR 30x3 | | 5530003 |
| 160 | 2* | Hex. Socket Head Screw | M6x20 | | 0106020 |
| 162 | 2 | Hex. Socket Head Screw | M6x25 | | 0106025 |
| 165 | 1* | Hex. Socket Head Screw | M4x55 | | 0104055 |
| 168 | 5 | Cheese head screw | M4x6 | | 0294006 |
| 170 | 1 | Locking Screw | R1/8" | | 7018008 |
| 172 | 1 | Cheese Head Screw | M3x6 | | 0303006 |
| 175 | 6 | Cheese head screw | M3x8 | | 0303008 |
| 180 | 10 | Cheese head screw | M3x14 | | 0303014 |
| 185 | 4 | Cheese head screw | M4x8 | | 0304008 |
| 186 | 2 | Cheese head screw | M4x12 | | 0204012 |
| 187 | 4 | Cheese head screw | M4x14 | | 0304014 |
| 190 | 5 | Cheese head screw | M4x16 | | 0304016 |
| 195 | 5 | Cheese head screw | M4x40 | | 0204040 |
| 200 | 2 | Cheese head screw | M4x45 | | 0304045 |
| 205 | 8 | Cheese head screw | M4x60 | | 0304060 |
| 210 | 1 | Slot. Pan Head Screw | M4x6 | | 0304006 |
| 212 | 1 | Slot. Count. Head Screw | M5x50 | | 0405050 |
| 215 | 1 | Slot. Count. Head Screw | M5x16 | | 0405016 |
| 220 | 1 | Hexagon Nut | M5 | | 1005000 |
| 225 | 2 | Curved Spring Washer | A4 | | 1804137 |
| 230 | 2 | Locking Washer | SM4 | | 1804000 |
| 232 | 2 | Locking Washer | SM6 | | 1806000 |
| 240 | 1 | Medium Washer | 4,3x8 Ms | | 1804433 |
| 245 | 1* | Medium Washer | 4,3x12 | | 1804902 |
| 247 | 1 | Retaining Ring | 15x1 | | 3515001 |
| 250 | 18 | Sealing Washer | M4 | | 1804001 |
| 255 | 2* | Sealing Ring | 6x1 | | 1806002 |
| 260 | 1 | Quick Connect Nipple with O-Ring | | | DK20225 |
| 265 | 1 | Hose Piece cpl. w. nipples | | | DK30235 |
| 285 | 1 | Ball Valve | | | 7014001 |
| 290 | 1 | Angle Screwing | G1/4" | | 7015010 |
| 295 | 5 | Sealing Ring | G1/4" | | 7014003 |
| 300 | 1* | On-Button | | | 8011313 |
| 305 | 1* | Off-Button | | | 8011221 |
| 310 | 1 | Thermal Switch | | | 8050100 |
| 313 | 1 | Cord cpl. w. PRCD without Plug (8723154 + 8715152 + 8400010) | | | 8738004 |
| 314 | 1 | Cord cpl. w. PRCD and EURO Plug (8723154 + 8715153 + 8400010) | | | 8738005 |
| 315 | 1 | Cord for PRCD | H07BQ-F3G1,5x2,3m | 230V | 8723154 |
| 318 | 1 | Cord for PRCD | H07BQ-F3G1,5x1,5m | 230V | 8715152 |
| | 1 | Cord for PRCD with EURO Plug | H07BQ-F3G1,5x1,5m | 230V | 8715153 |
| 320 | 1 | Cord Gland | M20x1,5 | | 8804020 |
| 325 | 1 | Mains Plug | Schuko | | 8016013 |
| 335 | 1* | Carrying Handle | | | 8910050 |
| 340 | 1 | Dessicant sack | glued | | 7040601 |
| 345 | 1 | PRCD Inline Protector | 230V | 230V | 8400010 |

Spare Parts Price List

Diamond Core Drill Type SR 25/35/38 (S) - Electronic

| FIG | NO | DESCRIPTION | STANDARD | TYPE | PART NO | |
|-----|----|---|----------------------------|-----------|-------------|--|
| 350 | 1 | Control Board | | SR38 | SR38510 | |
| | 1 | Control Board | | SR38BA | SR38510BA | |
| | 1 | Control Board | | SR35 | SR30510 | |
| | 1 | Control Board | | SR25 | SR20510-2 | |
| | 1 | Control Board | | SR25BA | SR20510-2BA | |
| | 1* | Control Board | | SR25 | SR20510-1 | |
| | 1* | Microcontroller U2 | | | 8644877 | |
| | 1* | GAL U3 | | | 8628201 | |
| 355 | 1 | Power Board cpl. with Thermo Film | | SR25/38 | SR20512-1 | |
| | 1* | Power Board cpl. with Thermo Film (without Thyristor) | | SR25 | SR20512 | |
| | 1 | Power Board cpl. with Thermo Film (without Thyristor) | | SR35 | SR30512 | |
| 360 | 1 | Power Supply Board | | SR25/38 | SR30514-2 | |
| | 1 | Power Supply Board (with Triac) | | SR35 | SR30514 | |
| 365 | 1 | Sensor Board | | | SR30516 | |
| 368 | 1 | I/O Board | | SR25/38 | SR60518-1 | |
| | 1 | I/O Board | | SR25/38BA | SR60518-1BA | |
| | 1* | I/O Board | | SR38 | SR30518 | |
| | 1* | I/O Board | | SR25 | SR20518 | |
| 370 | 1* | Cooling Plate | | | SR30140 | |
| 378 | 1 | Distance Bolt | | SR25/38 | SR30564 | |
| 379 | 1 | Display Cover | | SR25/38 | SR60152 | |
| 380 | 1 | PFC-Reactor | | | SR30538 | |
| 384 | 1 | Keypad | | SR25/38 | SR60570 | |
| 385 | 2 | Thermo Film | | | SR30520 | |
| 390 | 1 | Insulation Film | | | SR30522-2 | |
| 395 | 1 | Lid Insulation | | | SR30526 | |
| 400 | 10 | Insulation Bush | | | SR30530 | |
| 405 | 2 | Damper Ring with O-Ring | | | SR30532C | |
| | 1* | Clamp for GAL | | | SR30534 | |
| 410 | 1 | Strand Kit - I/O-Board | | | SR30544 | |
| | 1* | Strand Kit - ON-OFF Button | 2x2 green/red | | SR30540 | |
| 415 | 1 | Strand Kit - Sensor | 4 green | | SR30542 | |
| 420 | 1 | Strand Kit - DC/ON/OFF/UD | 5 red | | SR30544 | |
| 425 | 1 | Strand Kit - Power Board/Control Board | 2 orange | | SR30546 | |
| 430 | 1 | Strand - PS -CB+ | 2,5 ² x105 red | | SR30550-1 | |
| | 1* | Strand - Cross Rectifier + | 2,5 ² x75 red | | SR30550 | |
| 435 | 1 | Strand - PS -PB - | 2,5 ² x85 black | | SR30552-1 | |
| | 1* | Strand - Cross Rectifier - | 2,5 ² x75 black | | SR30552 | |
| 440 | 2* | Strand - Cross Rectifier ~1 | 2,5 ² x125 blue | | SR30554 | |
| 445 | 1 | PE Strand | 1x5x110 gn/ye | | SR30558 | |
| 455 | 1* | Cross Rectifier | | | 8025800 | |
| 460 | 4 | Shock Absorber | 10xM4 | | 2810942 | |
| | | Feed Control | | SR2-7 BA | | |
| 369 | 1 | Feed Control Board | | SR2/3 BA | SR20519 | |
| 470 | 1 | Bulkhead Angle | | SR2-7 BA | SR30142 | |
| 472 | 1 | Bulkhead Case cpl. with gasket and strands | 2P+PE 50V/16A | SR2-7 BA | 8016103 | |
| 473 | 1 | Protection Hood | | SR2-7 BA | 8010503 | |
| 474 | 2 | Flange Gasket | | SR2-7 BA | 5325005 | |
| 475 | 1 | Cheese Head Screw | M3x8 | SR2-7 BA | 0303008 | |
| 476 | 4 | Cheese Head Screw | M3x10 | SR2-7 BA | 0303010 | |
| 479 | 3 | Cheese Head Screw | M3x35 | SR2-7 BA | 0303035 | |
| 480 | 1 | Cheese Head Screw | M3x40 | SR2-7 BA | 0303040 | |
| 482 | 1 | Locking washer | SM3 | SR2-7 BA | 1803000 | |
| 483 | 1 | Hexagon Nut | M3 | SR2-7 BA | 1003000 | |
| 485 | 1 | Strand Kit - Dataline | 8x0,25 ² | SR2-7 BA | SR30548 | |
| 487 | 1 | Strand Kit - Power/LP | 2x0,75 ² | SR2-7 BA | SR30549 | |
| 489 | 1 | Hexagon Spacer Bolt | M4x24 | SR2-7 BA | 1504224 | |

* parts are substituted

Spare Parts Price List

Diamond Core Drill Type SR 25/35/38/68 (S) - Waterstop

| FIG | ST | BENENNUNG | SACHNUMMER | TYP | E-TEIL NR | |
|-----|----|--|------------|----------|-----------|--|
| | | Waterstop | | SR3060 | | |
| 850 | 1 | Valve Case cpl. with fig. 878, 880, 882, 884 | | SR2-7 BA | SR30650C | |
| 852 | 1 | Interlinking Shaft | | SR2-7 BA | SR30652C | |
| 854 | 1 | Seal Disk | | SR2-7 BA | SR30654 | |
| 856 | 1 | Reinforcing Bush | | SR2-7 BA | SR30656 | |
| 858 | 1 | DC-Planet Gear Drive | | SR2-7 BA | 9924080 | |
| 860 | 2 | Countersunk Flat Head Screw | M2x6z | SR2-7 BA | 0402006 | |
| 861 | 2 | Countersunk Flat Head Screw | M2x6z | SR2-7 BA | 0402006 | |
| 862 | 1 | Hexagon Socket Screw | M5x25 | SR2-7 BA | 0205025 | |
| 864 | 1 | Hexsagon Set Nut | M5 | SR2-7 BA | 1005005 | |
| 868 | 1 | O-Ring | RDR15x1 | SR2-7 BA | 5515001 | |
| 870 | 1 | O-Ring | RDR14x1,5 | SR2-7 BA | 5514015 | |
| 872 | 1 | O-Ring | RDR7x1,5 | SR2-7 BA | 5507015 | |
| 874 | 2 | O-Ring | RDR5x1,5 | SR2-7 BA | 5505015 | |
| 876 | 1 | Hollow Bolt | | SR2-7 BA | 7014037 | |
| 878 | 1 | Ball | | SR2-7 BA | 2214001 | |
| 880 | 1 | Valve Disk | | SR2-7 BA | 7015032 | |
| 882 | 1 | Valve Disk | | SR2-7 BA | 7013025 | |
| 884 | 1 | Reducing Nipple | | SR2-7 BA | 7038143 | |
| 886 | 2 | Sealing Ring | G1/4" | SR2-7 BA | 7014003 | |
| 888 | 3 | Distance Bolt | M3x10 i/a | SR2-7 BA | 1503102 | |
| 890 | 3 | Cr. Recessed Cheese Head Screw | M3x6 | SR2-7 BA | 0203006 | |
| 982 | 1 | Sealing Disk | M5 | SR2-7 BA | 1805001 | |

Spare Parts Price List

Diamond Core Drill Type SR 25/35/38/68 (S) - Gear

| FIG | NO | DESCRIPTION | STANDARD | TYPE | PART NO |
|-----|----|---|-------------|---------------|------------|
| 500 | 1 | Gear Box | | SR38/35/68 | SR30201 |
| | 1 | Gear Box | | SR25 | SR20201 |
| 505 | 1 | Water Supply Bush | | | SR30202 |
| 510 | 1 | Gear Change Grip cpl. with Fig.665, 775 | | SR38/35/68 | DK20203C |
| 515 | 1 | Gear Change Lever cpl. with Parallel Pin | | SR38/35/68 | DK30205C |
| | 1* | Carrying Holder | | SR25 | SR20228 |
| 520 | 1 | Drill Spindle cpl. with fig. 585, 1 1/4" UNC | | SR38/35/68 | SR30206C |
| | 1 | Drill Spindle cpl. with fig. 585, 1 1/4" UNC | | SR25 | SR20206C |
| | 1 | Drill Spindle FL32-3, cpl. with Fig. 106, 142 | | | SR30206.4C |
| | 1 | Drill Spindle M33/3, cpl. with Fig. 106, 142 | | | SR30206.8C |
| 525 | 1 | Drill Spindle cpl. with fig. 585, M33/3 | | SR38/35/68 | SR30206.8C |
| | 1 | Drill Spindle cpl. with fig. 585, M33/3 | | SR25 | SR20206.8C |
| 530 | 1 | Gear Change Shaft | | SR38/35/68 | DK30207 |
| | 1 | Gear Change Shaft | | SR38S | DK20207S |
| | 1 | Gear Shaft | | SR25 | SR20207 |
| | 1 | Gear Shaft | | SR25S | SR20207S |
| 535 | 1 | Pinion Shaft | | SR38 | SR30208-2 |
| | 1* | Pinion Shaft | | SR38/35/68 | SR30208-1 |
| | 1 | Pinion Shaft | | SR25 | SR20208 |
| 540 | 1 | Spur Wheel | | | SR30209 |
| 545 | 1 | Bearing Bush | | | SR30221 |
| 550 | 1 | Gear Wheel 1 | | SR38/35/68 | DK30212 |
| | 1 | Gear Wheel | | SR25 | SR20212 |
| 555 | 1 | Gear Wheel 3 | | SR38/35/68 | DK30213 |
| 560 | 1 | Slide Gear Wheel | | SR38/35/68 | DK30214 |
| 565 | 1 | Spindle Wheel | | SR25/35/38/68 | SR30215 |
| | 1 | Spindle Wheel | | SR38S | SR30215HS |
| | 1 | Spindle Wheel | | SR25S | SR30215S |
| 570 | 2 | Brake Disk | | | SR30218 |
| 575 | 2 | Pressure Disk | | | SR30219 |
| 580 | 1 | Hexagon Nut | | | SR30220-2 |
| 585 | 2 | Shaft Wearing Sleeve | | | DK20210 |
| 595 | 1 | Feed Bolt | | | SR30230-1 |
| 595 | 1* | Feed Worm | | | SR30230 |
| 620 | 1 | Ball Bearing | 6302 | | 6063020 |
| 625 | 1 | Ball Bearing | 6201 | | 6062010 |
| 630 | 1 | Needle Bearing | NK3/020 | | 6330200 |
| 635 | 2 | Needle Bush | HK1412 | | 6314120 |
| 640 | 1 | Needle Bush | HK2016 | | 6320160 |
| 645 | 1 | Thrust Ball Bearing | | | 6551106 |
| 650 | 1 | Thrust Needle Bearing | AXK3047 | | 6530470 |
| 655 | 1 | Thrust Bearing Washer | AS3047 | | 6530471 |
| 660 | 1 | O-Ring | RDR102x3 | | 5510203 |
| 663 | 1 | O-Ring | RDR34x2 | SR38/35/68 | 5534002 |
| 665 | 2 | O-Ring | RDR20x3 | SR38/35/68 | 5520003 |
| | 1 | O-Ring | RDR20x3 | SR25 | 5520003 |
| 670 | 1 | O-Ring | RDR9x3 | | 5509003 |
| 675 | 1 | Rotary Shaft Seal | 40x52x7 | | 5040527 |
| 680 | 1 | Rotary Shaft Seal | 38x50x7 | | 5038507 |
| 685 | 1 | Rotary Shaft Seal | 40x52x7S | | 5040521 |
| | | | | | |
| 715 | 2 | Quick Connect Nipple | G1/4"/8 | | 7014668 |
| 720 | 1 | Junction Hose | 5/8x110 | | 7058110 |
| | | | | | |
| 725 | 1 | Pressure Spring | | SR38/35/68 | 4305235 |
| 740 | 2 | Ball | 4 | SR38/35/68 | 2204000 |
| 745 | 1 | Disk Spring | 31,5x16,3x2 | | 4031162 |
| 750 | 1 | Parallel Key | A6x6x45 | SR38/35/68 | 3006045 |
| | 1 | Parallel Key | A6x6x14 | SR25 | 3006014 |
| 755 | 1 | Parallel Key | A5x5x25 | | 3005025 |
| 760 | 1 | Parallel Key | A4x4x10 | | 3004010 |
| 765 | 1 | Parallel Pin | 6m6x10 | | 2506010 |
| 770 | 1 | Parallel Pin | 5m6x15 | SR38/35/68 | 2505015 |
| 775 | 1 | Parallel Pin | 3m6x16 | SR38/35/68 | 2503016 |

* parts are substituted

Spare Parts Price List

Diamond Core Drill Type SR 25/35/38/68 (S) - Gear

| FIG | NO | DESCRIPTION | STANDARD | TYPE | PART NO | |
|-----|----|----------------------|-----------|---------------|---------|--|
| 785 | 1 | Shim Ring | PS14x20x1 | | 1914201 | |
| | 1 | Shim Ring | 35x14x1 | after 0313... | SR30217 | |
| 790 | 1 | Retaining Ring | 16x1 | SR38/35/68 | 3516001 | |
| | 1 | Retaining Ring | SW20 | SR25 | 3620000 | |
| 800 | 1 | Retaining Ring | SW20 | SR38/35/68 | 3620000 | |
| 810 | 1 | Hexagon Nut | M22x1,5 | | SR30226 | |
| 815 | 3 | Hex. Soc. Head Screw | M6x35 | | 0106035 | |
| 820 | 3 | Hex. Soc. Head Screw | M5x45 | | 0105045 | |
| 825 | 1 | Hex. Soc. Head Screw | M5x12 | SR38/35/68 | 0105012 | |
| | 2* | Hex. Soc. Head Screw | M5x20 | SR25 | 0115020 | |
| 830 | 3 | Locking Washer | SM6 | | 1806000 | |
| 835 | 1 | Locking Washer | SM5 | SR38/35/68 | 1805000 | |
| | 2* | Locking Washer | SM5 | SR25 | 1805000 | |
| | 1 | Gear Oil | 300ml | SR38 | 9030007 | |
| | 1* | Gear Oil | 300ml | SR38/35/68 | 9030004 | |
| | 1 | Gear Oil | 160ml | SR25 | 9016007 | |
| | 1* | Gear Oil | 160ml | SR25 | 9016004 | |
| 900 | 1 | Antifriction Element | | 1 1/4" UNC | AE35 | |
| | 1 | Antifriction Element | | M33/3 | AE60 | |
| | 2 | O-Ring | 32x1,5 | 1 1/4" UNC | 5532015 | |
| 915 | 1 | O-Ring | 33x1,5 | M33/3 | 5533015 | |

* parts are substituted

Please specify in case of spare part orders:

Machine No., Quantity, Description, Part No. and by electrical parts the voltage.