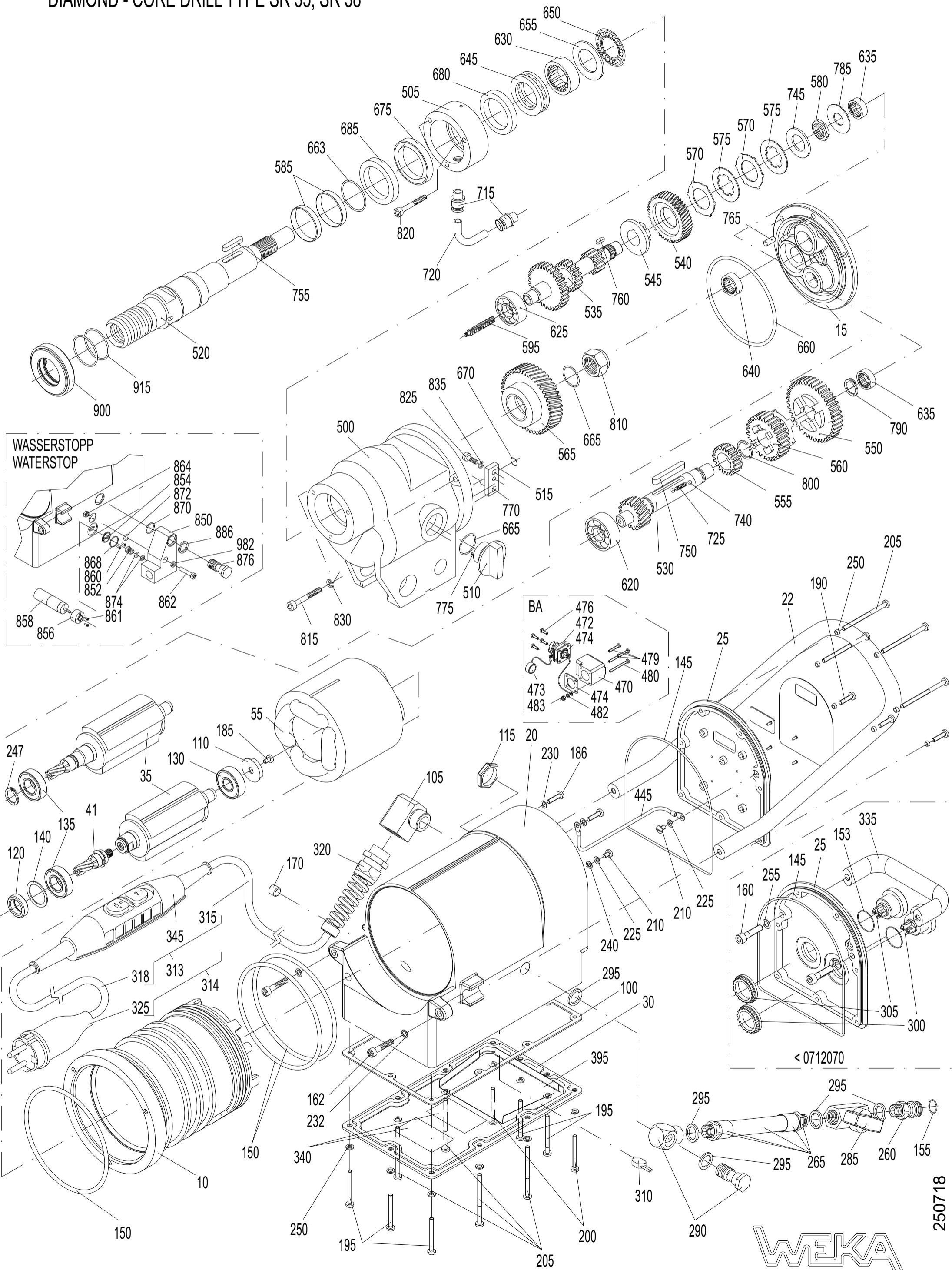


DIAMANT - KERNBOHRMASCHINE TYP SR 35, SR 38

DIAMOND - CORE DRILL TYPE SR 35, SR 38



WASSERSTOPP  
WATERSTOP

< 0712070

WEKA

250718

## Diamond Core Drill Type SR 25/35/38 (S) - Motor

FIG	NO	DESCRIPTION	STANDARD	TYPE	PART NO	PRICE €
10	1	Motorcase			SR30101	128,78
15	1	Intermediate Flange cpl. with O-Ring			SR30102C	71,09
20	1	Case Sleeve			SR30104-1	242,11
20	1	Case Sleeve	for auto feed	SR2-7 BA	SR30104-1BA	255,78
20	1	Case Sleeve	for water stop	SR2-7 W	SR30104-1W	261,87
20	1	Case Sleeve	for auto feed and WS	SR2-7 BAW	SR30104-1BAW	276,08
22	1	Carrying Holder		SR25/38	SR30105	54,61
25	1	Switch Cover cpl. with keypad		SR25/38	SR60133C	172,56
	1*	Switch Cover for On/Off button		SR35	SR30133	91,70
30	1	Terminal Case Cover cpl.			SR30135-1C	92,72
35	1	Rotor compl.			SR30108	97,88
41	1*	Rotor pinion			SR30113	15,46
55	1	Stator compl.		SR25/38	SR70109	184,42
	1	Stator compl.		SR35	SR30109	184,42
100	1	Terminal Case Sealing			SR30122	3,30
105	1	Cable Angle	M20x1,5		DK40140-1	11,34
110	1	Sensor-Disc			SR30118	7,62
115	1	Hexagon Nut	M20x1,5		8806020	1,54
120	1	Rotary Shaft Seal	14x24x7		5014247	4,12
130	1	Ball Bearing	6201 2Z		6062012	6,74
135	1	Ball Bearing	6002 2RS		6060022	8,14
140	1	Compensation Washer			2632201	0,72
145	1	O-Ring	RDR 135x2		4513502	1,34
150	3	O-Ring	RDR 110x4		4511004	1,44
153	2*	O-Ring	RDR 20x1,5		5520015	0,20
155	1	O-Ring	RDR 11x2,5		5511025	0,26
157	4	O-Ring	RDR 30x3		5530003	0,30
160	2*	Hex. Socket Head Screw	M6x20		0106020	0,38
162	2	Hex. Socket Head Screw	M6x25		0106025	0,26
165	1*	Hex. Socket Head Screw	M4x55		0104055	0,25
168	5	Cheese head screw	M4x6		0294006	0,15
170	1	Locking Screw	R1/8"		7018008	1,39
172	1	Cheese Head Screw	M3x6		0303006	0,10
175	6	Cheese head screw	M3x8		0303008	0,10
180	10	Cheese head screw	M3x14		0303014	0,15
185	4	Cheese head screw	M4x8		0304008	0,15
186	2	Cheese head screw	M4x12		0204012	0,15
187	4	Cheese head screw	M4x14		0304014	0,15
190	5	Cheese head screw	M4x16		0304016	0,15
195	5	Cheese head screw	M4x40		0204040	0,26
200	2	Cheese head screw	M4x45		0304045	0,30
205	8	Cheese head screw	M4x60		0304060	0,30
210	1	Slot. Pan Head Screw	M4x6		0304006	0,15
212	1	Slot. Count. Head Screw	M5x50		0405050	0,68
215	1	Slot. Count. Head Screw	M5x16		0405016	0,15
220	1	Hexagon Nut	M5		1005000	0,10
225	2	Curved Spring Washer	A4		1804137	0,05
230	2	Locking Washer	SM4		1804000	0,05
232	2	Locking Washer	SM6		1806000	0,05
240	1	Medium Washer	4,3x8 Ms		1804433	0,05
245	1*	Medium Washer	4,3x12		1804902	0,05
247	1	Retaining Ring	15x1		3515001	0,20
250	18	Sealing Washer	M4		1804001	0,11
255	2*	Sealing Ring	6x1		1806002	0,15
260	1	Quick Connect Nipple with O-Ring			DK20225	5,68
265	1	Hose Piece cpl. w. nipples			DK30235	12,12
285	1	Ball Valve			7014001	8,12
290	1	Angle Screwing	G1/4"		7015010	12,26
295	5	Sealing Ring	G1/4"		7014003	0,15
300	1*	On-Button			8011313	23,70
305	1*	Off-Button			8011221	23,70
310	1	Thermal Switch			8050100	9,48
313	1	Cord cpl. w. PRCD without Plug (8723154 + 8715152 + 8400010)			8738004	96,43
314	1	Cord cpl. w. PRCD and EURO Plug (8723154 + 8715153 + 8400010)			8738005	96,43
315	1	Cord for PRCD	H07BQ-F3G1,5x2,3m	230V	8723154	15,46
318	1	Cord for PRCD	H07BQ-F3G1,5x1,5m	230V	8715152	12,36
	1	Cord for PRCD with EURO Plug	H07BQ-F3G1,5x1,5m	230V	8715153	12,88
320	1	Cord Gland	M20x1,5		8804020	2,88
325	1	Mains Plug	Schuko		8016013	11,67
335	1*	Carrying Handle			8910050	11,34
340	1	Dessicant sack	glued		7040601	2,58
345	1	PRCD Inline Protector	230V	230V	8400010	71,09

# Spare Parts Price List

## Diamond Core Drill Type SR 25/35/38 (S) - Electronic

FIG	NO	DESCRIPTION	STANDARD	TYPE	PART NO	PRICE €
350	1	Control Board		SR38	SR38510	319,37
	1	Control Board		SR38BA	SR38510BA	319,37
	1	Control Board		SR35	SR30510	319,37
	1	Control Board		SR25	SR20510-2	319,37
	1	Control Board		SR25BA	SR20510-2BA	319,37
	1*	Control Board		SR25	SR20510-1	319,37
	1*	Microcontroller U2			8644877	22,66
	1*	GAL U3			8628201	5,26
355	1	Power Board cpl. with Thermo Film		SR25/38	SR20512-1	355,43
	1*	Power Board cpl. with Thermo Film (without Thyristor)		SR25	SR20512	355,43
	1	Power Board cpl. with Thermo Film (without Thyristor)		SR35	SR30512	355,43
360	1	Power Supply Board		SR25/38	SR30514-2	152,47
	1	Power Supply Board (with Triac)		SR35	SR30514	152,47
365	1	Sensor Board			SR30516	17,52
368	1	I/O Board		SR25/38	SR60518-1	81,39
	1	I/O Board		SR25/38BA	SR60518-1BA	81,39
	1*	I/O Board		SR38	SR30518	81,39
	1*	I/O Board		SR25	SR20518	81,39
370	1*	Cooling Plate			SR30140	32,97
378	1	Distance Bolt		SR25/38	SR30564	2,94
379	1	Display Cover		SR25/38	SR60152	4,64
380	1	PFC-Reactor			SR30538	71,09
384	1	Keypad		SR25/38	SR60570	36,06
385	2	Thermo Film			SR30520	5,46
390	1	Insulation Film			SR30522-2	3,10
395	1	Lid Insulation			SR30526	2,06
400	10	Insulation Bush			SR30530	0,05
405	2	Damper Ring with O-Ring			SR30532C	4,72
	1*	Clamp for GAL			SR30534	0,52
410	1	Strand Kit - I/O-Board			SR30544	5,56
	1*	Strand Kit - ON-OFF Button	2x2 green/red		SR30540	4,02
415	1	Strand Kit - Sensor	4 green		SR30542	5,04
420	1	Strand Kit - DC/ON/OFF/UD	5 red		SR30544	5,56
425	1	Strand Kit - Power Board/Control Board	2 orange		SR30546	3,70
430	1	Strand - PS -CB+	2,5 <sup>2</sup> x105 red		SR30550-1	1,64
	1*	Strand - Cross Rectifier +	2,5 <sup>2</sup> x75 red		SR30550	1,44
435	1	Strand - PS -PB -	2,5 <sup>2</sup> x85 black		SR30552-1	1,44
	1*	Strand - Cross Rectifier -	2,5 <sup>2</sup> x75 black		SR30552	1,44
440	2*	Strand - Cross Rectifier ~1	2,5 <sup>2</sup> x125 blue		SR30554	1,64
445	1	PE Strand	1x5x110 gn/ye		SR30558	1,96
455	1*	Cross Rectifier			8025800	11,34
460	4	Shock Absorber	10xM4		2810942	2,26
		Feed Control		SR2-7 BA		
369	1	Feed Control Board		SR2/3 BA	SR20519	161,39
470	1	Bulkhead Angle		SR2-7 BA	SR30142	52,78
472	1	Bulkhead Case cpl. with gasket and strands	2P+PE 50V/16A	SR2-7 BA	8016103	59,88
473	1	Protection Hood		SR2-7 BA	8010503	29,44
474	2	Flange Gasket		SR2-7 BA	5325005	1,01
475	1	Cheese Head Screw	M3x8	SR2-7 BA	0303008	0,10
476	4	Cheese Head Screw	M3x10	SR2-7 BA	0303010	0,10
479	3	Cheese Head Screw	M3x35	SR2-7 BA	0303035	0,20
480	1	Cheese Head Screw	M3x40	SR2-7 BA	0303040	0,20
482	1	Locking washer	SM3	SR2-7 BA	1803000	0,04
483	1	Hexagon Nut	M3	SR2-7 BA	1003000	0,15
485	1	Strand Kit - Dataline	8x0,25 <sup>2</sup>	SR2-7 BA	SR30548	6,60
487	1	Strand Kit - Power/LP	2x0,75 <sup>2</sup>	SR2-7 BA	SR30549	3,55
489	1	Hexagon Spacer Bolt	M4x24	SR2-7 BA	1504224	0,51

\* parts are substituted

# Spare Parts Price List

## Diamond Core Drill Type SR 25/35/38/68 (S) - Waterstop

FIG	ST	BENENNUNG	SACHNUMMER	TYP	E-TEIL NR	PREIS €
		Waterstop		SR3060		228,37
850	1	Valve Case cpl. with fig. 878, 880, 882, 884		SR2-7 BA	SR30650C	78,97
852	1	Interlinking Shaft		SR2-7 BA	SR30652C	15,84
854	1	Seal Disk		SR2-7 BA	SR30654	4,57
856	1	Reinforcing Bush		SR2-7 BA	SR30656	9,64
858	1	DC-Planet Gear Drive		SR2-7 BA	9924080	99,47
860	2	Countersunk Flat Head Screw	M2x6z	SR2-7 BA	0402006	0,10
861	2	Countersunk Flat Head Screw	M2x6z	SR2-7 BA	0402006	0,10
862	1	Hexagon Socket Screw	M5x25	SR2-7 BA	0205025	0,25
864	1	Hexsagon Set Nut	M5	SR2-7 BA	1005005	0,58
868	1	O-Ring	RDR15x1	SR2-7 BA	5515001	0,26
870	1	O-Ring	RDR14x1,5	SR2-7 BA	5514015	0,26
872	1	O-Ring	RDR7x1,5	SR2-7 BA	5507015	0,26
874	2	O-Ring	RDR5x1,5	SR2-7 BA	5505015	0,26
876	1	Hollow Bolt		SR2-7 BA	7014037	3,55
878	1	Ball		SR2-7 BA	2214001	3,55
880	1	Valve Disk		SR2-7 BA	7015032	1,78
882	1	Valve Disk		SR2-7 BA	7013025	1,78
884	1	Reducing Nipple		SR2-7 BA	7038143	1,58
886	2	Sealing Ring	G1/4"	SR2-7 BA	7014003	0,15
888	3	Distance Bolt	M3x10 i/a	SR2-7 BA	1503102	0,42
890	3	Cr. Recessed Cheese Head Screw	M3x6	SR2-7 BA	0203006	0,06
982	1	Sealing Disk	M5	SR2-7 BA	1805001	0,15

# Spare Parts Price List

## Diamond Core Drill Type SR 25/35/38/68 (S) - Gear

FIG	NO	DESCRIPTION	STANDARD	TYPE	PART NO	PRICE €
500	1	Gear Box		SR38/35/68	SR30201	160,72
	1	Gear Box		SR25	SR20201	149,39
505	1	Water Supply Bush			SR30202	23,70
510	1	Gear Change Grip cpl. with Fig.665, 775		SR38/35/68	DK20203C	18,44
515	1	Gear Change Lever cpl. with Parallel Pin		SR38/35/68	DK30205C	7,62
	1*	Carrying Holder		SR25	SR20228	61,30
520	1	Drill Spindle cpl. with fig. 585, 1 1/4" UNC		SR38/35/68	SR30206C	100,96
	1	Drill Spindle cpl. with fig. 585, 1 1/4" UNC		SR25	SR20206C	92,72
	1	Drill Spindle FL32-3, cpl. with Fig. 106, 142			SR30206.4C	106,12
	1	Drill Spindle M33/3, cpl. with Fig. 106, 142			SR30206.8C	106,12
525	1	Drill Spindle cpl. with fig. 585, M33/3		SR38/35/68	SR30206.8C	108,18
	1	Drill Spindle cpl. with fig. 585, M33/3		SR25	SR20206.8C	99,94
530	1	Gear Change Shaft		SR38/35/68	DK30207	64,27
	1	Gear Change Shaft		SR38S	DK20207S	66,89
	1	Gear Shaft		SR25	SR20207	42,24
	1	Gear Shaft		SR25S	SR20207S	42,24
535	1	Pinion Shaft		SR38	SR30208-2	89,32
	1*	Pinion Shaft		SR38/35/68	SR30208-1	87,57
	1	Pinion Shaft		SR25	SR20208	45,33
540	1	Spur Wheel			SR30209	26,79
545	1	Bearing Bush			SR30221	11,34
550	1	Gear Wheel 1		SR38/35/68	DK30212	46,34
	1	Gear Wheel		SR25	SR20212	29,88
555	1	Gear Wheel 3		SR38/35/68	DK30213	33,71
560	1	Slide Gear Wheel		SR38/35/68	DK30214	60,05
565	1	Spindle Wheel		SR25/35/38/68	SR30215	36,06
	1	Spindle Wheel		SR38S	SR30215HS	36,06
	1	Spindle Wheel		SR25S	SR30215S	36,06
570	2	Brake Disk			SR30218	4,64
575	2	Pressure Disk			SR30219	6,49
580	1	Hexagon Nut			SR30220-2	4,64
585	2	Shaft Wearing Sleeve			DK20210	3,95
595	1	Feed Bolt			SR30230-1	7,00
595	1*	Feed Worm			SR30230	7,62
620	1	Ball Bearing	6302		6063020	7,72
625	1	Ball Bearing	6201		6062010	8,53
630	1	Needle Bearing	NK3/020		6330200	25,28
635	2	Needle Bush	HK1412		6314120	6,11
640	1	Needle Bush	HK2016		6320160	7,48
645	1	Thrust Ball Bearing			6551106	20,28
650	1	Thrust Needle Bearing	AXK3047		6530470	4,84
655	1	Thrust Bearing Washer	AS3047		6530471	1,63
660	1	O-Ring	RDR102x3		5510203	1,06
663	1	O-Ring	RDR34x2	SR38/35/68	5534002	0,38
665	2	O-Ring	RDR20x3	SR38/35/68	5520003	0,26
	1	O-Ring	RDR20x3	SR25	5520003	0,26
670	1	O-Ring	RDR9x3		5509003	0,18
675	1	Rotary Shaft Seal	40x52x7		5040527	5,27
680	1	Rotary Shaft Seal	38x50x7		5038507	5,27
685	1	Rotary Shaft Seal	40x52x7S		5040521	5,27
						0,00
715	2	Quick Connect Nipple	G1/4"/8		7014668	5,46
720	1	Junction Hose	5/8x110		7058110	0,52
						0,00
725	1	Pressure Spring		SR38/35/68	4305235	0,63
740	2	Ball	4	SR38/35/68	2204000	0,20
745	1	Disk Spring	31,5x16,3x2		4031162	0,81
750	1	Parallel Key	A6x6x45	SR38/35/68	3006045	0,53
	1	Parallel Key	A6x6x14	SR25	3006014	0,38
755	1	Parallel Key	A5x5x25		3005025	0,42
760	1	Parallel Key	A4x4x10		3004010	0,31
765	1	Parallel Pin	6m6x10		2506010	0,20
770	1	Parallel Pin	5m6x15	SR38/35/68	2505015	0,20
775	1	Parallel Pin	3m6x16	SR38/35/68	2503016	0,20

\* parts are substituted

# Spare Parts Price List

## Diamond Core Drill Type SR 25/35/38/68 (S) - Gear

FIG	NO	DESCRIPTION	STANDARD	TYPE	PART NO	PRICE €
785	1	Shim Ring	PS14x20x1		1914201	0,26
	1	Shim Ring	35x14x1	after 0313...	SR30217	1,96
790	1	Retaining Ring	16x1	SR38/35/68	3516001	0,20
	1	Retaining Ring	SW20	SR25	3620000	0,20
800	1	Retaining Ring	SW20	SR38/35/68	3620000	0,20
810	1	Hexagon Nut	M22x1,5		SR30226	5,66
815	3	Hex. Soc. Head Screw	M6x35		0106035	0,26
820	3	Hex. Soc. Head Screw	M5x45		0105045	0,38
825	1	Hex. Soc. Head Screw	M5x12	SR38/35/68	0105012	0,15
	2*	Hex. Soc. Head Screw	M5x20	SR25	0115020	0,20
830	3	Locking Washer	SM6		1806000	0,05
835	1	Locking Washer	SM5	SR38/35/68	1805000	0,05
	2*	Locking Washer	SM5	SR25	1805000	0,05
	1	Gear Oil	300ml	SR38	9030007	9,64
	1*	Gear Oil	300ml	SR38/35/68	9030004	7,72
	1	Gear Oil	160ml	SR25	9016007	5,28
	1*	Gear Oil	160ml	SR25	9016004	4,12
900	1	Antifriction Element		1 1/4" UNC	AE35	39,08
	1	Antifriction Element		M33/3	AE60	39,15
	2	O-Ring	32x1,5	1 1/4" UNC	5532015	0,31
915	1	O-Ring	33x1,5	M33/3	5533015	0,31

\* parts are substituted

Please specify in case of spare part orders:

Machine No., Quantity, Description, Part No. and by electrical parts the voltage.