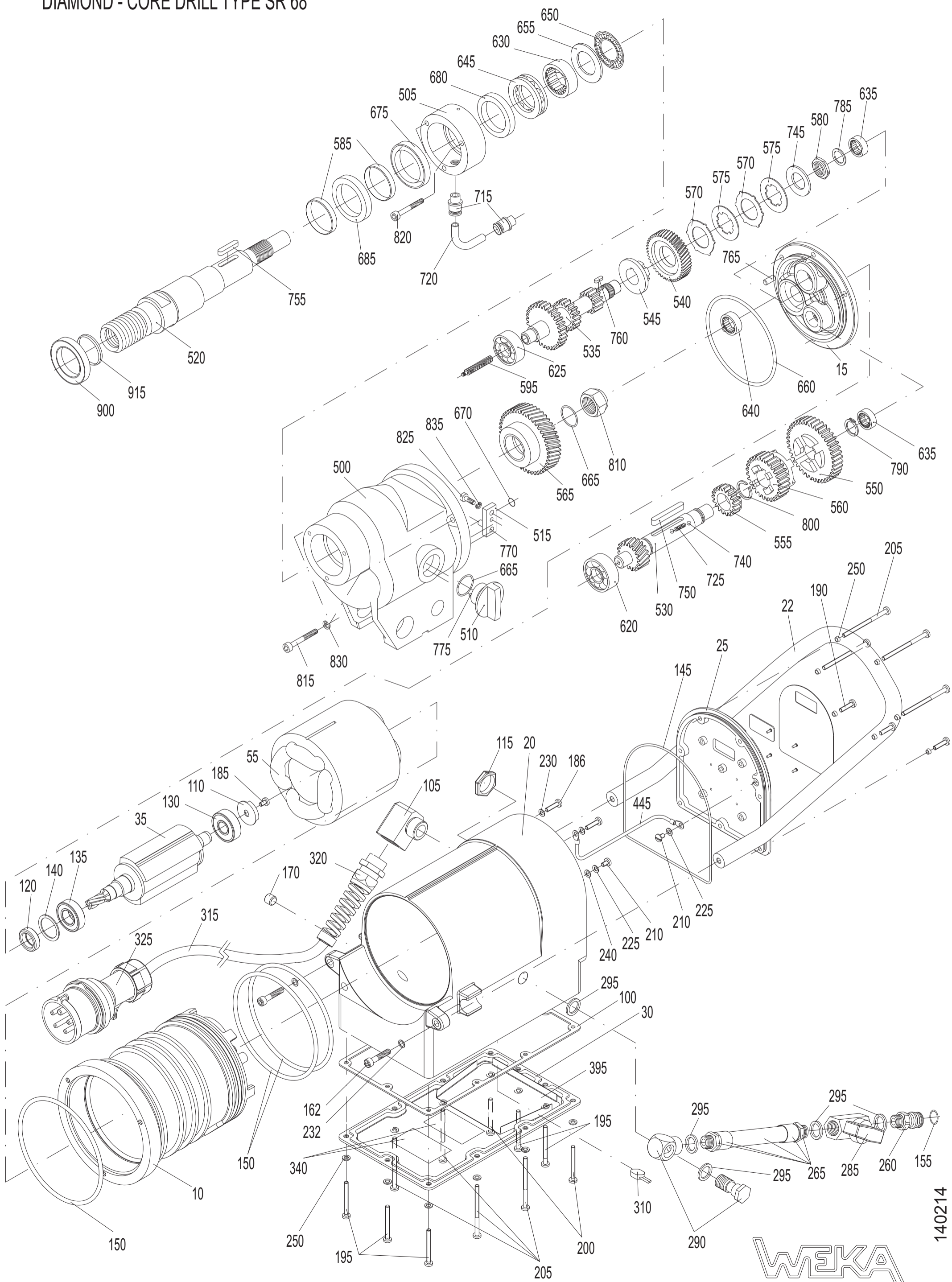


DIAMANT - KERNBOHRMASCHINE TYP SR 68  
 DIAMOND - CORE DRILL TYPE SR 68



**Spare Parts Price List**  
**Diamond Core Drill Type SR 65/68/75 - Motor**

EP-SR7 070318

Page 1/5

FIG	NO	DESCRIPTION	STANDARD	TYPE	PART NO	PRICE €
10	1	Motorcase			SR30101	128,78
15	1	Intermediate Flange cpl. with O-Ring			SR70102C	92,72
20	1	Case Sleeve			SR30104-1	242,11
20	1	Case Sleeve for autofeed			SR30104 BA	255,78
20	1	Case Sleeve for waterstop			SR30104W	261,87
20	1	Case Sleevev for autofeed and WS			SR30104 BAW	276,08
22	1	Carrying Holder			SR30105	54,61
25	1	Switch Cover cpl. with keypad			SR60133C	172,56
	1*	Switch Cover for On/Off button			SR30133	91,70
30	1	Terminal Case Cover cpl.			SR30135-1C	92,72
35	1	Rotor compl.		SR65/ SR75	SR70108	97,88
	1	Rotor compl.		SR68	SR30108	97,88
41	1*	Rotor pinion			SR70113	16,48
55	1	Stator compl.			SR70109	184,42
100	1	Terminal Case Sealing			SR30122	3,30
105	1	Cable Angle cpl. with O-Ring	M20x1,5		DK40140-1C	11,34
110	1	Sensor-Disc			SR30118	7,62
112	1	Spacer			SR70536	6,18
115	1	Hexagon Nut	M20x1,5		8806020	1,54
120	1	Rotary Shaft Seal	14x24x7		5014247	4,12
130	1	Ball Bearing	6201 2Z		6062012	6,74
135	1	Ball Bearing	6002 2RS		6060022	8,14
140	1	Compensation Washer			2632201	0,72
145	1	O-Ring	RDR135x2		4513502	1,34
150	3	O-Ring	RDR110x4		4511004	1,44
153	2*	O-Ring	RDR20x1,5		5520015	0,00
155	1	O-Ring	RDR11x2,5		5511025	0,26
160	2*	Hex. Socket Head Screw	M6x20		0106020	0,38
162	2	Hex. Socket Head Screw	M6x25		0106025	0,26
170	1	Locking Screw	R1/8"		7018008	1,14
175	6	Cheese head screw	M3x8		0303008	0,10
180	10	Cheese head screw	M3x14		0303014	0,15
185	4	Cheese head screw	M4x8		0304008	0,15
186	2	Cheese head screw	M4x12		0204012	0,15
187	4	Cheese head screw	M4x14		0304014	0,15
190	6	Cheese head screw	M4x16		0304016	0,15
195	5	Cheese head screw	M4x40		0204040	0,26
200	2	Cheese head screw	M4x45		0304045	0,30
205	8	Cheese head screw	M4x60		0304060	0,30
210	1	Slot. Pan Head Screw	M4x6		0304006	0,15
215	1*	Slot. Count. Head Screw	M5x16		0405016	0,15
220	1*	Hexagon Nut	M5		1005000	0,10
225	3	Curved Spring Washer	A4		1804137	0,05
230	6	Locking Washer	SM4		1804000	0,05
232	2	Locking Washer	SM6		1806000	0,05
240	1	Medium Washer	4,3x8 Ms		1804433	0,05
247	1	Retaining Ring	15x1		3515001	0,20
250	18	Sealing Washer	M4		1804001	0,11
255	2*	Sealing Ring	6x1		1806002	0,15
260	1	Quick Connect Nipple			DK20225	5,68
265	1	Hose Piece cpl. w. nipples			DK30235	12,12
285	1	Ball Valve			7014001	9,58
290	1	Angle Screwing	G1/4"		7015010	12,26
295	5	Sealing Ring	G1/4"		7014003	0,15
300	1*	On-Button			8011313	23,70
305	1*	Off-Button			8011221	23,70
310	1	Thermal Switch			8050100	9,48
315	1	Cord			8740154	22,66
320	1	Cord Gland	M20x1,5		8804020	2,88

# Spare Parts Price List

## Diamond Core Drill Type SR 65/68/75 - Electronic

FIG	No	DESCRIPTION	STANDARD	TYPE	PART NO	PRICE €
325	1	Mains Plug	CEE 16A6h5P		8016015	6,19
335	1*	Carrying Handle			8910050	11,17
340	2	Desiccation Bag	geklebt		7040601	2,58
350	1	Control Board		SR65	SR60510-1	319,37
	1	Control Board		SR68	SR68510-1	319,37
	1	Control Board		SR75	SR70510-1	319,37
355	1	Power Board cpl. with Thermo Film			SR70512	391,49
356	1*	Microcontroller			8644422	30,39
357	1*	GAL			8628201	5,26
360	1	Power Supply Board			SR70514-1	142,17
365	1	Sensor Board			SR30516	17,52
368	1	I/O - Board			SR60518-1	81,39
369	1	Feed Board		SR2,3 BA	SR20519	161,39
	1	Feed Board		SR6,7 BA	SR60519	161,39
379	1	Display Cover			SR60152	4,64
384	1	Keypad			SR60570	36,06
						0,00
385	2	Thermo Film			SR70520	3,60
390	1	Insulation Film			SR30522-2	3,10
395	1	Lid Insulation			SR30526	2,06
400	8	Insulation Bush			SR30530	0,05
402	1	Distance Bush			SR70532	1,24
404	1	Distance Bush			SR70534	1,44
410	1	Strand Kit - I/O Board			SR30544	5,56
	1*	Strand Kit - ON-OFF Button	2x2 green/red		SR70540	4,02
415	1	Strand Kit - Sensor	4 green		SR30542	5,04
430	1	Strand PS-PB+	2,5²x105 red		SR30550-1	1,64
	1	Strand - Cross Rectifier +	2,5²x65 red		SR70550	1,39
435	1	Strand PS-PB-	2,5x85 black		SR30552-1	1,44
	1	Strand - Cross Rectifier -	2,5²x75 black		SR70552	1,44
440	3*	Strand - Cross Rectifier ~1	2,5²x125 blue		SR30554	1,64
445	1	PE Strand	gn/ye		SR30558	1,96
455	1*	Cross Rectifier			8035100	18,54

\*) parts are substituted

# Spare Parts Price List

## Diamond Core Drill Type SR 65 - Gear

FIG	NO	DESCRIPTION	STANDARD	PART NO	PRICE €
500	1	Gear Box		SR60201	175,14
505	1	Bearing Case		SR70204	157,63
515	1*	Carrying Holder		SR60228	61,30
520	1	Drill Spindle cpl. with fig. 615, 1 1/4" UNC		SR70206C	113,32
	1	Drill Spindle cpl. with fig. 615, M33/3		SR70206.8C	120,54
525	1	Sleeve		AE70230	11,34
530	1	Pressure Ring		AE70235	23,70
535	1	Gear Shaft		SR60207	42,24
540	1	Pinion Shaft		SR60208	45,33
545	1	Spur Wheel		SR30209	26,79
550	1	Bearing Bush		SR30221	11,34
555	1	Gear Wheel		SR60212	29,88
570	1	Spindle Wheel		SR70215S	56,67
575	2	Brake Disk		SR30218	4,64
580	2	Pressure Disk		SR30219	6,49
585	1	Hexagon Nut		SR30220-2	4,64
590	4	Planet Wheel		SR70218	17,00
595	1	Sun Shaft		SR60220	52,03
600	1	Hollow Wheel		SR70222	195,74
605	1	Planet-Wheel Carrier cpl. w. pins		SR70224C	121,57
610	1	Carrier Disk		SR70226	52,55
615	2	Shaft Wearing Sleeve		SR70210	7,22
620	1	Feed Worm		SR60230	6,90
	1*	Feed Worm		SR30230	7,62
625	1	Ball Bearing	6302	6063020	7,72
630	1	Ball Bearing	6201	6062010	8,53
635	1	Needle Bearing	NKS43	6343580	62,85
640	1	Needle Bearing	NKS45	6345600	64,91
645	1	Needle Bearing		6349000	12,91
650	1	Needle Bush	HK1412	6314120	6,11
655	1	Needle Bush	HK2016	6320160	7,48
660	1	Needle Bush	HK3512	6335120	11,23
665	4	Needle Cage	K14x18x17	6414187	7,62
670	1	Thrust Needle Bearing	AXK5070	6550700	9,78
675	1	Thrust Needle Bearing	AXK4060	6540600	7,32
680	1	Thrust Needle Bearing	AXK2035	6520350	5,16
685	2	Thrust Bearing Washer	AS5070	6550701	3,40
690	1	Thrust Bearing Washer	AS4060	6540601	2,73
695	2	Thrust Bearing Washer	AS2035	6520351	1,29
700	1	Washer disc	LS4060	6540603	11,54
705	1	O-Ring	RDR102x3	5510203	1,06
710	2	O-Ring	RDR96x3	5596003	0,97
715	1	O-Ring	RDR45x1,5	5545015	0,43
	1*	O-Ring	RDR42x1,5	5542015	0,43
730	1	O-Ring	RDR28x1,5	4528015	0,53
735	1	O-Ring	RDR9x3	5509003	0,18
740	2	Damper	D5x5	4550005	0,52
745	1	Rotary Shaft Seal	AS45x60x7	5045601	6,18
750	4	Rotary Shaft Seal	A45x60x7	5045607	6,18
755	2	Quick Connect Nipple	G1/4"/8	7014668	5,46
760	1	Junction Hose	5/8x100	7058100	0,52
775	1	Disk Spring	31,5x16,3x2	4031162	0,81
780	1	Parallel Key	A6x6x14	3006014	0,38
785	1	Parallel Key	A6x6x20	3006020	0,47
790	1	Parallel Key	A4x4x10	3004010	0,31
795	4	Parallel Pin	14m6x36	2514036	2,88
800	2	Parallel Pin	6m6x20	2506020	0,31
810	1	Shim Ring	PS14x20x1	1914201	0,26
	2*	Shim Ring	PS14x20x1	1914201	0,26
812	1	Shim Ring after serialno.: 0313..	35x14x1	SR30217	1,96

## Spare Parts Price List Diamond Core Drill Type SR 65 - Gear

Page 4/5

FIG	NO	DESCRIPTION	STANDARD	PART NO	PRICE €
815	3	Retaining Ring	J60x2,0	3460002	1,6
825	1	Retaining Ring	26x1,2	3526012	0,42
830	1	Retaining Ring	AV18	3518112	0,8
840	8	Hex. Soc. Head Screw	M6x35	0106035	0,26
850	6	Hex. Soc. Head Screw	M5x20	0115020	0,2
855	4	Hex. Sock. Count. Head Screw	M5x12	0405012	0,1
860	8	Locking Washer	SM6	1806000	0,1
865	2*	Locking Washer	SM5	1805000	0,1
	1	Gear Oil	250ml	9025007	9,1
	1*	Gear Oil	250ml	9025004	6,4
900		Antifriction-Element	for M33/3 Spindle	AE60	39,15
905		O-Ring	33x1,5	5533015	0,3

## Spare Parts Price List Diamond Core Drill Type SR 65 S - Gear

POS	ST	BENENNUNG	STANDARD	PART NO	PRICE €
1	1	Gear cpl.	Gearparts s. SR25	SR2520	802,00

## Spare Parts Price List Diamond Core Drill Type SR 68 - Gear

POS	ST	BENENNUNG	STANDARD	PART NO	PRICE €
1	1	Gear cpl.	Gearparts s. SR38	SR3820	1.013,00

## Spare Parts Price List Diamond Core Drill Type SR 75 - Gear

FIG	NO	DESCRIPTION	STANDARD	PART NO	PRICE €
500	1	Gear Box		SR70201	226,65
505	1	Bearing Case		SR70204	157,63
510	1	Gear Change Grip with Pin and O-Ring		SR70203C	25,34
520	1	Drill Spindle cpl. with fig. 615, 1 1/4" UNC		SR70206C	113,32
	1	Drill Spindle cpl. with fig. 615, M33/3		SR70206.8C	120,54
525	1	Sleeve		AE70230	11,34
530	1	Pressure Ring		AE70235	23,70
535	1	Gear Change Shaft		SR70207	66,97
	1	Gear Change Shaft	Type S	SR70207S	66,97
540	1	Pinion Shaft		SR30208-1	87,57
545	1	Spur Wheel		SR30209	26,79
550	1	Bearing Bush		SR30221	11,34
555	1	Gear Wheel 1		DK30212	46,34
560	1	Gear Wheel 3		DK30213	33,71
565	1	Slide Gear Wheel		DK30214	60,05
570	1	Spindle Wheel		SR70215	56,67
	1	Spindle Wheel	Type S	SR70215S	56,67
575	2	Brake Disk		SR30218	4,64
580	2	Pressure Disk		SR30219	6,49
585	1	Hexagon Nut		SR30220-2	4,64
590	4	Planet Wheel		SR70218	17,00
595	1	Sun Shaft		SR70220	55,11
600	1	Hollow Wheel		SR70222	195,74
605	1	Planet-Wheel Carrier cpl. w. pins		SR70224C	121,57
610	1	Carrier Disk		SR70226	52,55
615	2	Shaft Wearing Sleeve		SR70210	7,22
620	1	Feed Worm		SR30230-3	7,11
	1	Feed Worm		DK50230	7,62
	1*	Feed Worm		SR30230	7,62

# Spare Parts Price List

## Diamond Core Drill Type SR 75 - Gear

FIG	NO	DESCRIPTION	STANDARD	PART NO	PRICE €
623	1	Blocking Washer		SR30232	3,55
625	1	Ball Bearing	6302	6063020	7,72
630	1	Ball Bearing	6201Z	6062011	8,53
	1*	Ball Bearing	6201	6062010	8,53
635	1	Needle Bearing	NKS43	6343580	62,85
640	1	Needle Bearing	NKS45	6345600	64,91
645	1	Needle Bearing		6349000	12,91
650	1	Needle Bush	HK1412	6314120	6,11
655	1	Needle Bush	HK2016	6320160	7,48
660	1	Needle Bush	HK3512	6335120	11,23
665	4	Needle Cage	K14x18x17	6414187	7,62
670	1	Thrust Needle Bearing	AXK5070	6550700	9,78
675	1	Thrust Needle Bearing	AXK4060	6540600	7,32
680	1	Thrust Needle Bearing	AXK2035	6520350	5,16
685	2	Thrust Bearing Washer	AS5070	6550701	3,40
690	1	Thrust Bearing Washer	AS4060	6540601	2,73
695	2	Thrust Bearing Washer	AS2035	6520351	1,29
700	1	Washer disc	LS4060	6540603	11,54
705	1	O-Ring	RDR102x3	5510203	1,06
710	2	O-Ring	RDR96x3	5596003	0,97
715	1	O-Ring	RDR42x1,5	5542015	0,43
720	1	O-Ring	RDR36x3	5536003	0,30
730	1	O-Ring	RDR28x1,5	4528015	0,53
735	1	O-Ring	RDR9x3	5509003	0,18
740	2	Damper	D5x5	4550005	0,52
745	1	Rotary Shaft Seal	AS45x60x7	5045601	6,18
750	4	Rotary Shaft Seal	A45x60x7	5045607	6,18
755	2	Quick Connect Nipple	G1/4"/8	7014668	5,46
760	1	Junction Hose	5/8x110	7058110	0,52
765	1	Pressure Spring		4305235	0,63
770	2	Ball	RB4	2204000	0,20
775	1	Disk Spring	31,5x16,3x2	4031162	2,06
780	1	Parallel Key	A6x6x45	3006045	0,53
785	1	Parallel Key	A6x6x20	3006020	0,47
790	1	Parallel Key	A4x4x10	3004010	0,31
795	4	Parallel Pin	14m6x36	2514036	2,88
800	2	Parallel Pin	6m6x20	2506020	0,31
805	1	Parallel Pin	5m6x25	2505025	0,92
810	1*	Shim Ring	PS14x20x1	1914201	0,25
	1	Shim Ring after Serialno.: 0313030	14x35x1	SR30217	1,96
815	3	Retaining Ring	J60x2,0	3460002	1,65
820	1	Retaining Ring	42x1,75	3542175	1,29
825	1	Retaining Ring	26x1,2	3526012	0,42
830	1	Retaining Ring	16x1	3516001	0,20
835	1	Retaining Ring	SW20	3620000	0,20
840	3	Hex. Soc. Head Screw	M6x35	0106035	0,26
850	6	Hex. Soc. Head Screw	M5x20	0105020	0,20
855	4	Hex. Sock. Count. Head Screw	M5x12	0405012	0,10
860	10	Locking Washer	SM6	1806000	0,05
	1	Gear Oil	500ml	9050007	18,27
	1*	Gear Oil	500ml	9050004	12,88
900	1	Antifriction-Element	for M33/3 Spindle	AE60	39,15
905	1	O-Ring	33x1,5	5533015	0,31

Please specify in case of spare part orders:

Machine No., Quantity, Description, Part No. and by electrical parts the voltage.

\*) parts are substituted

WEKA Elektrowerkzeuge Auf der Höhe 20, D 75387 Neubulach - Altbulach

Telefon: 07053 96816-0, Ersatzteile: 07053 96816-14 · Telefax: 07053 3138

Internet: <http://www.weka-elektrowerkzeuge.de> · E-mail: [weka@weka-elektrowerkzeuge.de](mailto:weka@weka-elektrowerkzeuge.de)